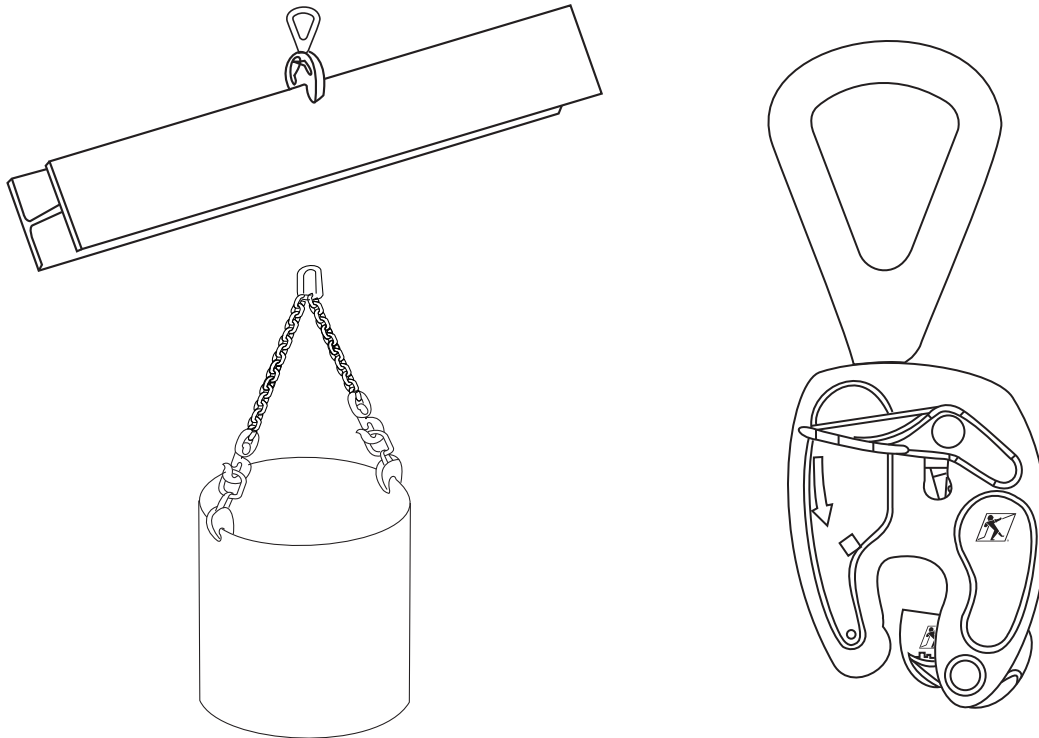


Applications

KSA provides a clamp range combining simplicity, and flexibility, designed for lifting of plates profiles, fabricated assemblies, steel frames during daily use.



Description

Clamps fitted with a safety spring mechanism for a permanent contact of the cam onto the piece to be lifted, even when it is being put down. The locking lever does not stick out so that it is not likely to be damaged. The corrugated cam only marks one side of the load.

Functioning

To open the clamp's cam, push the locking lever downwards. The locking appears automatic when the lever is being freed. The clamp's corrugated cam penetrates into the load's material. Lifting ensures proportional clamping, thus avoiding marking the load excessively.

Note:

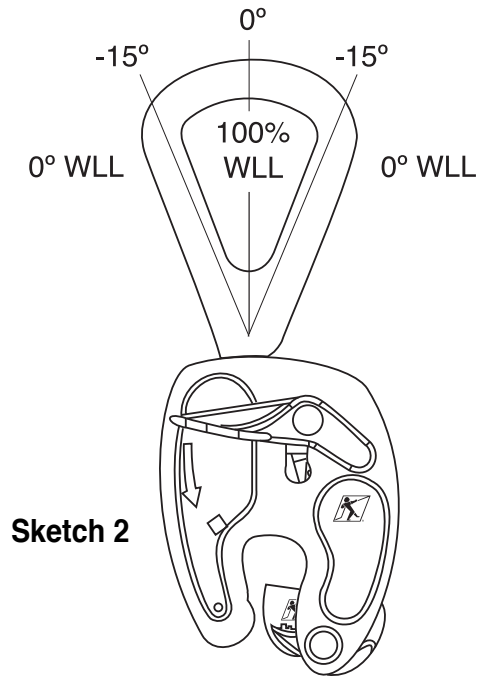
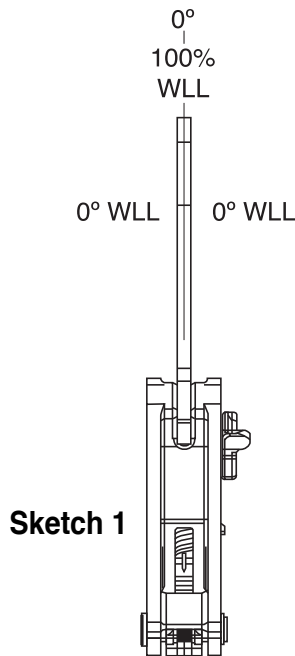
The clamp can be kept open by pushing the locking lever down against the clamp's body, until the lever retainer pin is activated in its housing on the clamp's flange.

To release, slightly pull the lever outwards so as to disengage the lever's pin from its housing.

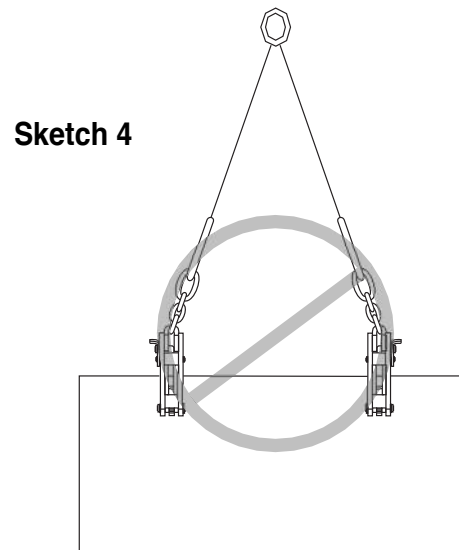
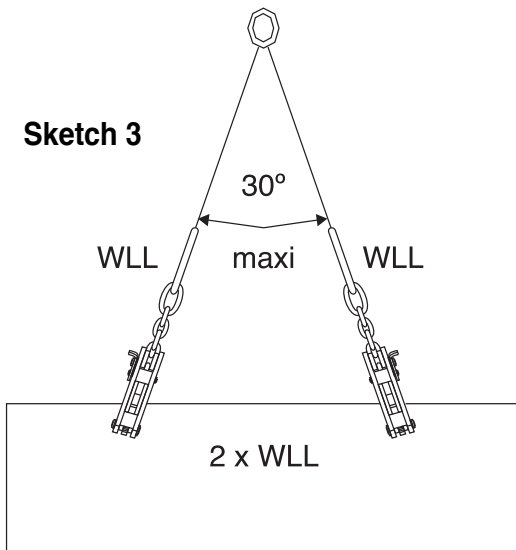
General characteristics

- Manufactured without load bearing welds.
- Safety factor: 3 in accordance with ANSI B30.20
- Every clamp is tested at twice the working load limit.
- 1 year warranty against any defect of fabrication.

- *Lifting function: always work on the axis of the clamp (sketch 1) and never exceed the allowable 15° angle of the ring (sketch 2).*



- *Lifting of loads in a vertical position with 2 clamps and no lifting beam: do not exceed the 30° sling angle and ensure the clamps are in line with the slings (sketch 3).*



- *Tilting or lifting of loads in a horizontal position: PROHIBITED. Use KS clamps with chain for these applications (sketch 4).*

Important instructions

- Never use for personnel lifting.
- Strictly forbidden to either walk or to be positioned under the load.
- It is imperative to respect the value of the working load limit (WLL).
- A KSA doesn't permit revolving (use a KS clamp with chain for revolving plates) – user angle is limited between -15° and +15° regarding vertical position.
- Do not use for fragile loads.
- Using a KSA marks the load.
- The plate or piece to be lifted must always be fully engaged into the throat of the clamp.
- Load maximum surface hardness: 300 HB and minimum tensile strength 20 daN/mm². (29000 psi)
- Some stainless steels are particularly abrasive ; closely check the condition of the cam's teeth in this case.
- The minimum weight of lifting load should be equal to 5% of the clamp's WLL (eg if clamps WLL is 1000 kg, then minimum weight is 50 kg). This value is given for a clamp in good working order and respecting Tractel Ind. conditions of use and recommendations. Consult Tractel in case of loads with weight inferior to the minimum recommended value.
- Lifting clamps are not suitable for creating permanent joints.
- To avoid injury, ensure the clamps are always unlocked when not in use (cam closed).
- Never lift more than one plate at a time.
- Apply the down gradation if necessary.
- Working temperature: -20° to +100°C. (-4 to 212F)

Dimensional characteristics

Ref.	Item Number	WLL lbs. (t) kg.	Opening		A*		B	C	D	E	F	G	H	I	J	K	L	Weight lb./kg.
			min	max	min	max												
KSA075 0-15	54768	1650 (3/4)	0	9/16	9	10	5	3 13/16	1 3/4	1 1/2	2 3/4	2 3/16	1/4	19/32	1/2	1 5/16	2 1/16	3.3
		750	0	15	228	255	129	97	45	39	70	55	6	15	12	34	53	1.5
KSA1 0-20	54778	2200 (1)	0	3/4	9 11/16	11	6 13/16	5	2 3/8	1 15/16	2 3/4	2 1/2	5/16	19/32	5/8	1 11/16	2 5/8	7.0
		1,000	0	20	245	280	173	128	60	49	70	65	8	15	16	43	67	3.2

